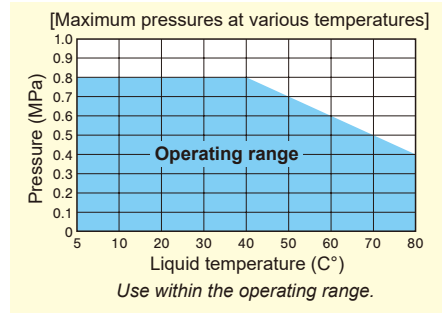
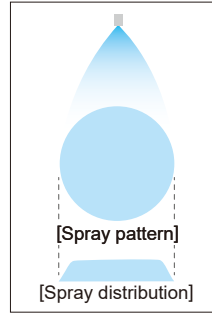


# Quick-Detachable Standard Full Cone Spray Nozzles

Plastic

INJJX



- Full cone spray nozzle with a removable whirler.
- Made of highly chemical and heat resistant plastic.
- Quick-detachable design helps to significantly reduce maintenance time.
- Nozzle tips are color-coded by spray capacity for easy identification.

**[STANDARD PRESSURE]**

0.2 MPa

**[APPLICATIONS]**

- Cleaning • Etching • Stripping
- Chemical treatment
- For periodic maintenance or for applications where precise spray alignment is required

Full Cone

Structure	<ul style="list-style-type: none"> <li>• Two-piece structure including a nozzle tip, with whirler and packing, and an adaptor.</li> <li>• Easy installation and removal of the nozzle tip with a twist of about 60°.</li> </ul>
Material	<ul style="list-style-type: none"> <li>• Nozzle tip and whirler: PP</li> <li>• Adaptor: PP or PPS [SPECIAL ORDER MATERIAL: PVDF]</li> <li>• Packing: FEPM</li> </ul>

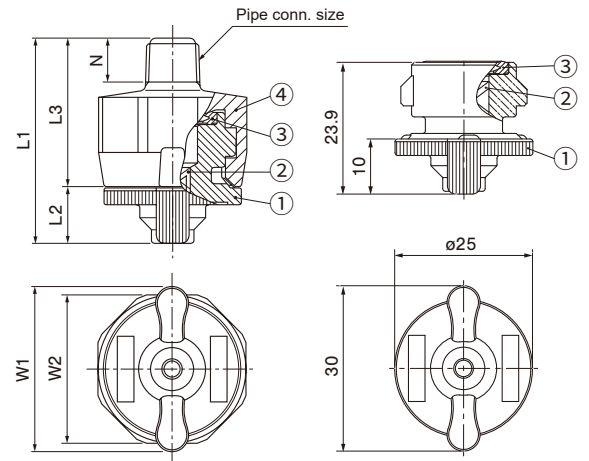
Pipe conn. size	Dimensions (mm)						Weight (g)	
	L1	L2	L3	W1	W2	N	PP	PPS
R1/8	37	10	27	30	27	8	9	12
R1/4	40	10	30	30	27	11.5	10	13
R3/8	40	10	30	30	27	12	11	14

[Note]

- INJJX series nozzles are not compatible with the discontinued ISJJX series.
- Appearance and dimensions may differ slightly depending on material and nozzle code.

**DRAWING**

Unit: mm



Complete Assembly

Nozzle Tip (① + ② + ③)

① Nozzle tip ② Whirler ③ Packing (FEPM) ④ Adaptor

Spray capacity code	Pipe conn. size			Spray angle (°)			Spray capacity (L/min)								Mean drop. dia. (µm)	Free pass. dia. (mm)	Nozzle tip color
	R1/8	R1/4	R3/8	0.05 MPa	0.2 MPa	0.5 MPa	0.03 MPa	0.05 MPa	0.1 MPa	0.15 MPa	0.2 MPa	0.3 MPa	0.5 MPa	0.7 MPa			
010	○	○	○	60	65	55	—	0.53	0.73	0.88	1.00	1.18	1.48	1.67	290	0.8	Green
015	○	○	○	60	65	55	—	0.79	1.09	1.32	1.50	1.77	2.18	2.50		1.0	Grey
020	○	○	○	60	65	55	—	1.06	1.46	1.75	2.00	2.36	2.91	3.34		1.5	Black
025	○	○	○	60	65	55	—	1.32	1.82	2.20	2.50	2.95	3.62	4.17		1.5	Yellow
030	○	○	○	60	65	55	—	1.59	2.18	2.63	3.00	3.54	4.36	5.00		1.5	Blue
040	○	○	○	60	65	55	—	2.12	2.91	3.51	4.00	4.72	5.81	6.67		2.0	Purple
050	○	○	○	65	70	60	—	2.65	3.64	4.38	5.00	5.90	7.27	8.34		2.0	Green
060	○	○	○	70	75	65	2.51	3.18	4.37	5.26	6.00	7.08	8.72	10.0		2.0	Pink

**HOW TO ORDER**

To inquire about or order a specific nozzle please refer to this coding system.

**① Complete Assembly**

Example: 1/8M INJJX 040 PP (FEPM) + PP

<b>1/8M</b>	<b>INJJX</b>	<b>040</b>	<b>PP (FEPM) +</b>	<b>PP</b>
Pipe conn. size*	Spray capacity code	Nozzle tip material (packing: FEPM)	Adaptor material and color	
1/8M	010		PP	
1/4M	5		PPS	
3/8M	060			

**② Nozzle Tip Only (including packing and whirler)**

Example: INJJX 040-TIP PP (FEPM)

<b>INJJX</b>	<b>040</b>	<b>-TIP PP (FEPM)</b>
Spray capacity code	Nozzle tip material (packing: FEPM)	
010		
5		
060		

③ Adaptor is available for purchase separately.

④ You can change a nozzle tip to a plug tip if needed. See page 27 for the quick-detachable **IN PLUG** series.

\*\*"M" indicates male thread ("R" of the ISO standard), e.g. 1/8M = R1/8.

**ALSO AVAILABLE!**

Quick-Detachable Standard Flat Spray Nozzles  
**INVV SERIES**  
 See page 23 of this catalog.

Stainless steel quick-detachable  
**INJJX-SS SERIES**  
 See page 74 of this catalog.