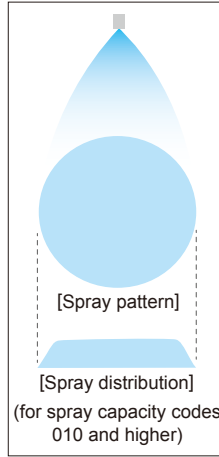


Low Flow Rate Full Cone Spray Nozzles



- Full cone spray pattern with a round impact area and even distribution.
- Spray capacity codes 006 and 008 produce a round impact area and mountain-shaped spray distribution.
- Features lowest flow rate among our full cone spray nozzles.
- Ceramic orifice and closer provide excellent wear resistance.

[STANDARD PRESSURE]

0.5 MPa for spray capacity codes 006 and 008.
0.2 MPa for spray capacity codes 010 and higher.

[APPLICATIONS]

Spraying: Oils, lubricants, glues, etchants
Cleaning: Galvanizing, gas
Cooling: Machinery, gas

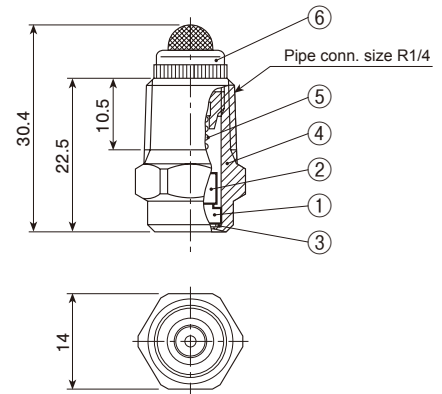
Full Cone

Structure	<ul style="list-style-type: none"> • Nozzle orifice and closer are made of ceramic. Spray capacity code 006 has a high-purity ceramic orifice. • All models include a built-in strainer.
Material	<ul style="list-style-type: none"> • Orifice disc and closer: ceramic • Nozzle body: S303 <p>SPECIAL ORDER MATERIAL: S316</p>
Weight	• 17.5g

[Note] Appearance and dimensions may differ slightly depending on material and nozzle code.

DRAWING

Unit: mm



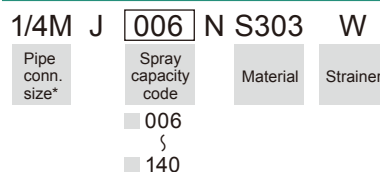
- ① Orifice disc ② Closer ③ Packing (PTFE)
- ④ Nozzle body ⑤ Spring (S316)
- ⑥ Strainer (S303+S304 for mesh size #50 and #100, S303+S304+S316 for mesh size #150 and #200)

Spray capacity code	Spray angle (°)			Spray capacity (L/min)									Mean droplet diameter (μm)	Free passage diameter (mm)	Strainer mesh size
	0.1 MPa	0.2 MPa	0.5 MPa	0.1 MPa	0.15 MPa	0.2 MPa	0.3 MPa	0.5 MPa	0.7 MPa	1 MPa	1.5 MPa	2 MPa			
006	—	—	70	—	—	—	0.07	0.09	0.10	0.12	0.14	0.16	170~190	0.1	200
008	—	—	70	—	—	—	0.09	0.12	0.14	0.16	0.19	0.22	140	0.1	200
010	—	70	65	—	0.09	0.10	0.12	0.15	0.17	0.20	0.24	0.28	160	0.2	200
012	—	70	65	—	0.10	0.12	0.14	0.18	0.21	0.25	0.29	0.33	190	0.2	200
015	—	70	65	—	0.13	0.15	0.18	0.23	0.26	0.31	0.37	0.42	170	0.2	200
020	60	70	65	0.14	0.17	0.20	0.24	0.30	0.35	0.41	0.49	0.56	∅	0.3	200
025	65	70	67	0.18	0.22	0.25	0.30	0.38	0.44	0.51	0.61	0.70	230	0.3	200
030	67	70	68	0.22	0.26	0.30	0.36	0.45	0.52	0.61	0.73	0.83	220	0.3	150
040	67	70	68	0.29	0.35	0.40	0.48	0.60	0.70	0.82	0.98	1.11	∅	0.3	150
050	68	70	68	0.36	0.44	0.50	0.60	0.75	0.87	1.02	1.22	1.39	290	0.4	150
060	68	70	68	0.43	0.52	0.60	0.72	0.90	1.05	1.23	1.47	1.67	280	0.5	150
070	68	70	68	0.51	0.61	0.70	0.84	1.05	1.22	1.43	1.71	1.95	∅	0.6	150
080	68	70	68	0.58	0.70	0.80	0.95	1.19	1.38	1.61	1.92	2.18	350	0.6	150
100	68	70	68	0.72	0.87	1.00	1.19	1.49	1.72	2.01	2.40	2.72	∅	0.7	100
120	68	70	68	0.87	1.05	1.20	1.43	1.79	2.07	2.42	2.88	3.27	∅	0.8	50
140	68	70	68	1.01	1.22	1.40	1.67	2.09	2.41	2.82	3.36	3.81	440	0.9	50

HOW TO ORDER

To inquire about or order a specific nozzle please refer to this coding system.

Example: 1/4M J 006N S303 W



**M" indicates male thread ("R" of the ISO standard), e.g. 1/4M = R1/4.