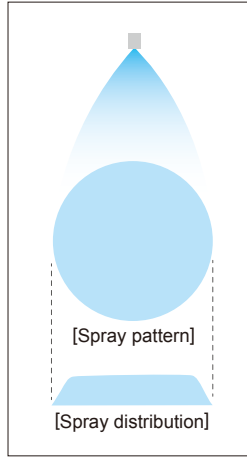


Flange Connection, Large Capacity Full Cone Spray Nozzles

Made-to-Order

TJJX

Full Cone



- Full cone spray pattern with a round impact area and uniform distribution.
- Flange connection.
- X-shaped whirler provides a large free passage diameter, minimizing clogging.

[STANDARD PRESSURE]

0.2 MPa

[APPLICATIONS]

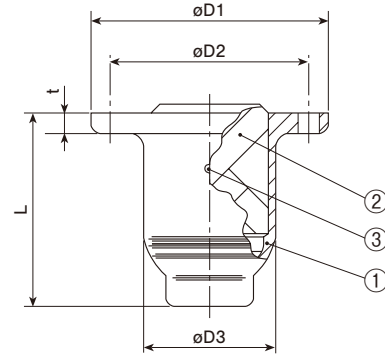
- Cooling: Gas, liquids
- Reacting: Chemical plants
- Spraying: Aeration, sea water desalination equipment

Structure	<ul style="list-style-type: none"> • Includes a nozzle body, X-shaped whirler, and lock bolt for securing the whirler to the nozzle body. The whirler is removable. • Flanged connection.
Material	<ul style="list-style-type: none"> • Nozzle body: S304, S316, SCS13, or SCS14 • Whirler: SCS13 or SCS14 • Lock bolt: S316 <p>SPECIAL ORDER MATERIAL: S316L, SCS16</p>

Flange size (inch)	Dimensions (mm)					Flange bolt holes (JIS 10K)		Weight (kg)
	L	øD1	øD2	øD3	t	Number of holes	Diameter (mm)	
4	171	210	175	117	18	8	19	9.3
5	211	250	210	143	20	8	23	11.4
6	253	280	240	169	22	8	23	22.7

[Note] Appearance and dimensions may differ slightly depending on material and nozzle code.

DRAWING



① Nozzle body ② Whirler ③ Lock bolt

Spray capacity code	Flange connection size (inch)			Spray angle (°)			Spray capacity (L/min)							Mean droplet diameter (µm)	Free passage diameter (mm)
	4	5	6	0.05 MPa	0.2 MPa	0.5 MPa	0.03 MPa	0.05 MPa	0.1 MPa	0.15 MPa	0.2 MPa	0.3 MPa	0.5 MPa		
1500	○			90	90	75	628	794	1,091	1,315	1,500	1,770	2,180	1,850	28
2000	○			100	100	85	838	1,059	1,455	1,753	2,000	2,360	2,907		
2500		○		90	90	75	1,047	1,324	1,819	2,191	2,500	2,950	3,634	2,500	36
3000		○		100	100	85	1,257	1,588	2,183	2,629	3,000	3,540	4,361		
3500			○	90	90	75	1,466	1,853	2,547	3,067	3,500	4,130	5,087	2,650	43
4000			○	95	95	80	1,675	2,118	2,911	3,505	4,000	4,720	5,814		

[Note] Please contact IKEUCHI for TJJX series nozzles with larger flow rate and/or larger flange size.

HOW TO ORDER

To inquire about or order a specific nozzle please refer to this coding system.


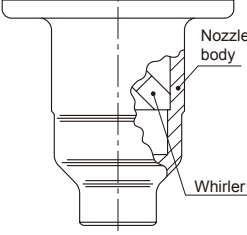
Example: 4 TJJX 1500 S304

4	TJJX	1500	S304
Flange conn. size		Spray capacity code	Material
4		1500	S304
5		2000	S316
6		4000	SCS13
			SCS14

This nozzle series is made-to-order.

TJJX-SiC SERIES Made-to-Order

For spraying slurry, wear resistance of nozzles should be considered. TJJX-SiC series nozzles made of highly wear-resistant SiC (silicon nitride bonded silicon carbide) are available for such applications. Please contact us for details.

Series	Picture	Structure	Features	Applications
<p>TJJX-SiC</p>			<ul style="list-style-type: none"> ● Full cone spray pattern with a round impact area and uniform distribution. ● X-shaped whirler provides a large free passage diameter, minimizing clogging. ● Whole nozzle is fired as one piece. ● Made of highly wear-resistant SiC. Lightweight, weighing less than half of comparable metal nozzles. <p>[Note] Since TJJX-SiC series nozzles are cast molded, the spray capacity is guaranteed within +/-10% and the spray angle within +/-7° under standard pressure.</p>	<ul style="list-style-type: none"> ● Spraying recirculated water for water granulation ● Other applications: spraying slurry