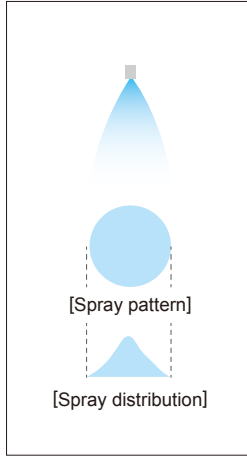


# Narrow-Angle Full Cone Spray Nozzles

NJJP

Full Cone



- Narrow-angle full cone spray pattern with a round impact area.
- Unique design produces fine atomization without a whirler.
- No-whirler design with a large free passage diameter minimizes clogging.

[STANDARD PRESSURE]  
0.3 MPa

[APPLICATIONS]

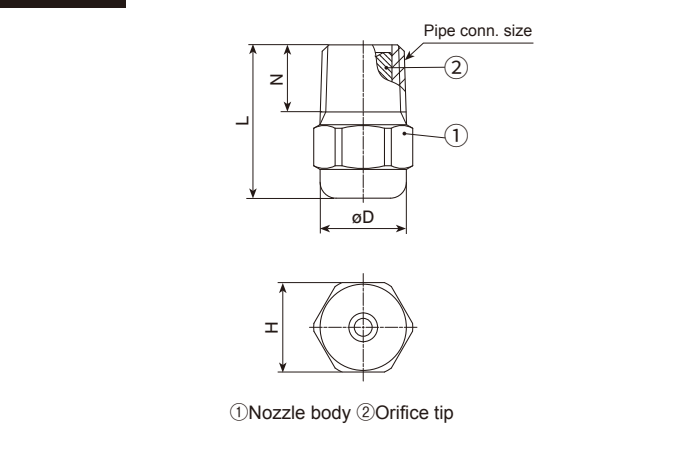
Cleaning: Pipes, bottles, containers, filters  
Cooling: Steel plates

Structure	<ul style="list-style-type: none"> <li>• One-piece structure with a press-fitted orifice tip.</li> <li>• No obstructions in the nozzle interior.</li> </ul>
Material	<ul style="list-style-type: none"> <li>• S303</li> </ul> SPECIAL ORDER MATERIAL: S316

Pipe conn. size	Dimensions (mm)				Weight (g)
	L	H	øD	N	
R1/4	24	14	13.5	10.5	19.5
R3/8	32	19	18	11	48

[Note] Appearance and dimensions may differ slightly depending on material and nozzle code.

DRAWING



Spray angle code	Spray capacity code	Pipe conn. size		Spray angle (°)			Spray capacity (L/min)						Mean droplet diameter (µm)	Free passage diameter (mm)
		R1/4	R3/8	0.15 MPa	0.3 MPa	0.7 MPa	0.15 MPa	0.2 MPa	0.3 MPa	0.5 MPa	0.7 MPa	1 MPa		
30	06	○		26	30	32	4.80	5.26	6.00	7.42	8.54	9.91	750	2.3
	08	○		26	30	32	6.40	7.02	8.00	9.90	11.4	13.2		
	14		○	26	30	32	11.2	12.3	14.0	17.3	19.9	23.1	970	3.8
	20		○	26	30	32	16.0	17.5	20.0	24.7	28.5	33.0		
15	06	○		12	15	16	4.80	5.26	6.00	7.42	8.54	9.91	925	2.3
	08	○		12	15	16	6.40	7.02	8.00	9.90	11.4	13.2		
	14		○	12	15	16	11.2	12.3	14.0	17.3	19.9	23.1	1,200	3.8
	20		○	12	15	16	16.0	17.5	20.0	24.7	28.5	33.0		

[Note] Use NJJP series nozzles at 0.15 MPa or higher for a stable spray pattern; below 0.15 MPa, the spray becomes unstable.

HOW TO ORDER

To inquire about or order a specific nozzle please refer to this coding system.

Example: 1/4M NJJP 30 06 S303

1/4M	NJJP	30	06	S303
Pipe conn. size*		Spray angle code	Spray capacity code	Material
1/4M		30	06	
3/8M		15	∫	
			20	

\*\*"M" indicates male thread ("R" of the ISO standard), e.g. 1/4M = R1/4.