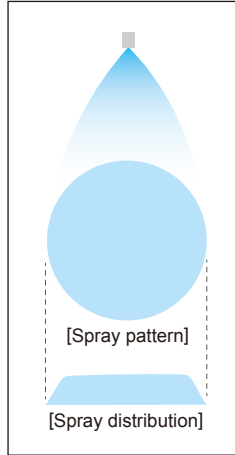


Wide-Angle Full Cone Spray Nozzles

UZUJP

Full Cone



- The spray covers a large area even at low water pressure.
- The number of nozzles is minimized, reducing installation costs.
- The compact shape without a whirler enables high spray flow and reduces clogging.

[STANDARD PRESSURE]

0.1 MPa

[APPLICATIONS]

- Fire extinguishing and spraying at lime kilns, conveyors, and around fuel tanks
- Flue gas cleaning and cooling in scrubbers and desulfurization units
- Dust suppression in recycling plants and raw material yards
- Other applications where clogging is a concern



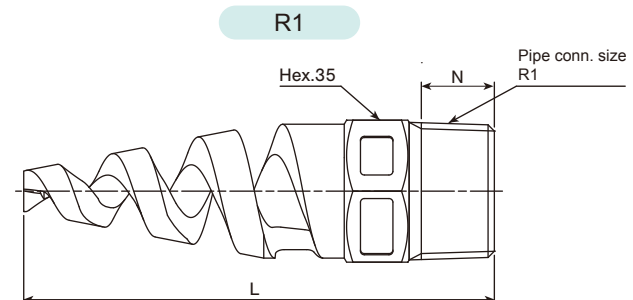
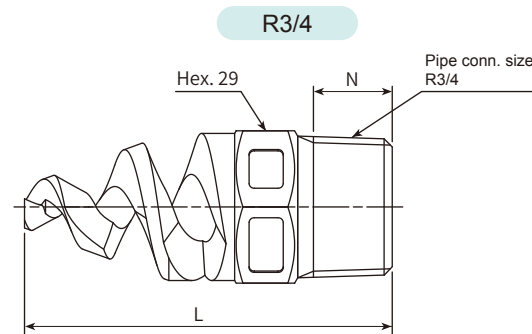
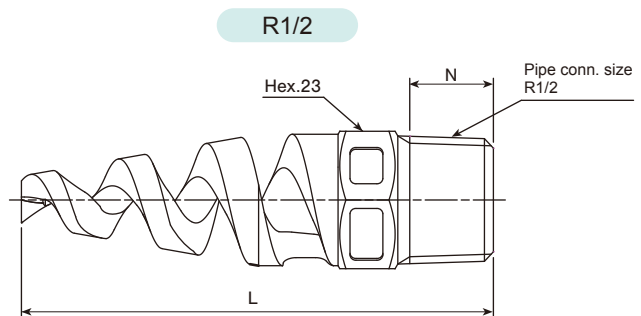
Structure	• Metal one-piece structure.
Material	• SCS16

A protective cap with or without an anti-drop strap is available as options.

Pipe conn. size	Spray angle code	Spray capacity code	Dimensions (mm)		Approx. weight (g)
			N	L	
R1/2	120	75	14	63.5	75
	170	75 100	14	79	80
R3/4	120	100	15	70	140
R1	170	220	18	116	250

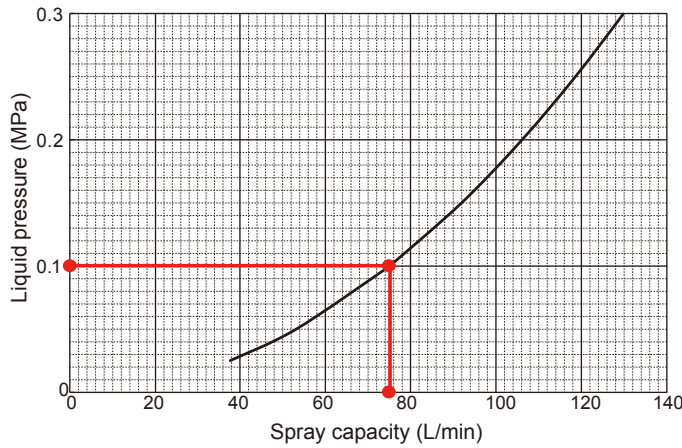
[Note] Appearance and dimensions may differ slightly depending on material and nozzle code.

DRAWING

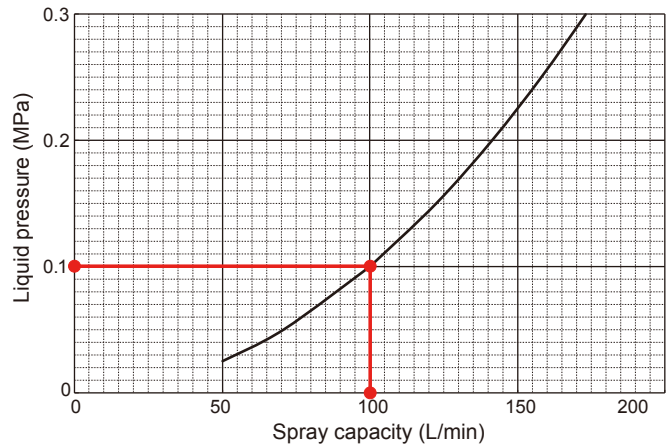


FLOW-RATE DIAGRAM

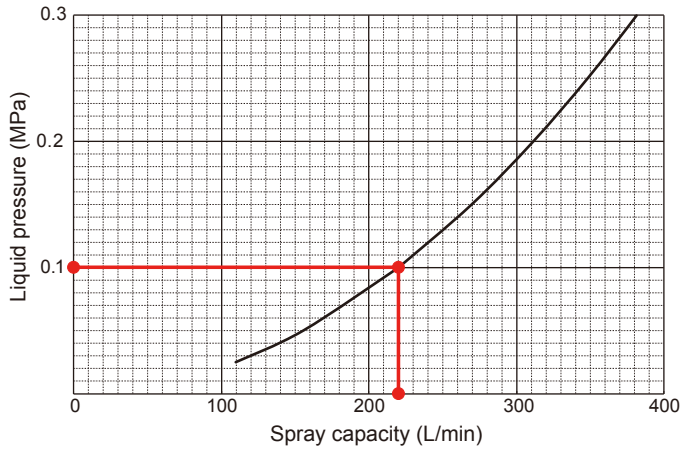
■ UZUJP 12075 / 17075



■ UZUJP 120100 / 170100



■ UZUJP 170220



Spray angle code	Spray capacity code	Pipe conn. size	Spray angle (°)				Spray capacity (L/min)					Free passage diameter (mm)
			0.03 MPa	0.05 MPa	0.1 MPa	0.3 MPa	0.03 MPa	0.05 MPa	0.1 MPa	0.2 MPa	0.3 MPa	
120	75	R1/2	109	120	120	120	41.1	53.0	75.0	106	130	4.3
	100	R3/4	109	117	120	120	54.8	70.7	100	141	173	5.1
170	75	R1/2	159	167	170	170	41.1	53.0	75.0	106	130	5.0
	100	R1/2	159	167	170	170	54.8	70.7	100	141	173	5.2
	220	R1	159	167	170	170	120	156	220	311	381	7.3

HOW TO ORDER

To inquire about or order a specific nozzle please refer to this coding system.

Example: 1/2M UZUJP 17075 SCS16

1/2M	UZUJP	170	75	SCS16
Pipe conn. size*		Spray angle code	Spray capacity code	
■ 1/2M		■ 120	■ 75	
■ 3/4M		■ 170	■ 100	
■ 1M			■ 220	

*"M" indicates male thread ("R" of the ISO standard), e.g. 1/2M = R1/2.