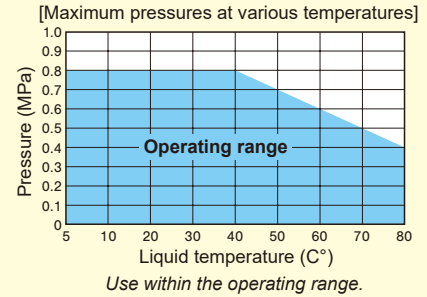
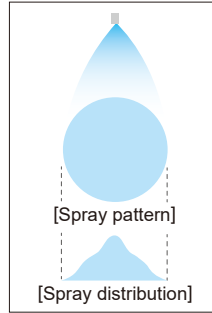


Quick-Detachable Mountain-Shaped Full Cone Spray Nozzles

Plastic

INJJX-Y

Full Cone



- Full cone spray nozzle with mountain-shaped spray distribution and high impact, offering a high etch factor.
- Spray distribution remains remarkably stable even when spray pressure is adjusted.
- Quick-detachable design significantly reduces maintenance time, and the whirler inside the nozzle is removable.

[STANDARD PRESSURE]

0.2 MPa

[APPLICATIONS]

- High-precision etching for lead frames, PCBs, and TAB
- For periodic maintenance or for applications where precise spray alignment is required

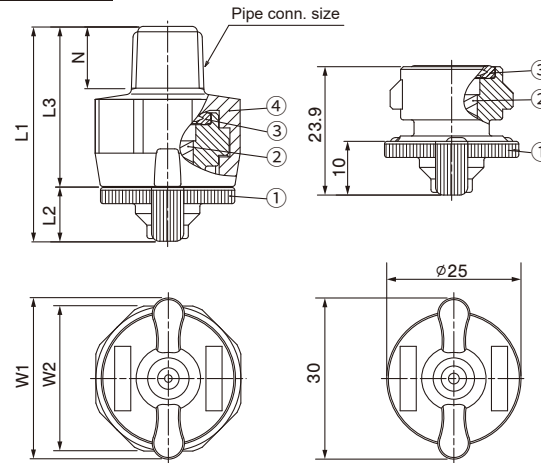
Structure	<ul style="list-style-type: none"> • Two-piece structure including a nozzle tip, with whirler and packing, and an adaptor. Nozzle tips are color-coded by spray capacity for easy identification. • Easy installation and removal of the nozzle tip with a twist of about 60°.
Material	<ul style="list-style-type: none"> • Nozzle tip and whirler: PP • Adaptor: PP or PPS [SPECIAL ORDER MATERIAL: PVDF] • Packing: FEPM

Pipe conn. size	Dimensions (mm)						Weight (g)	
	L1	L2	L3	W1	W2	N	PP	PPS
R1/8	37	10	27	30	27	8	9	12
R1/4	40	10	30	30	27	11.5	10	13
R3/8	40	10	30	30	27	12	11	14

[Note] Appearance and dimensions may differ slightly depending on material and nozzle code.

DRAWING

Unit: mm



Complete Assembly

Nozzle Tip (① + ② + ③)

① Nozzle tip ② Whirler ③ Packing (FEPM) ④ Adaptor

Spray capacity code	Pipe conn. size			Spray angle (°)			Spray capacity (L/min)							Mean drop. dia. (µm)	Free pass. dia. (mm)	Nozzle tip color
	R1/8	R1/4	R3/8	0.05 MPa	0.2 MPa	0.5 MPa	0.05 MPa	0.1 MPa	0.15 MPa	0.2 MPa	0.3 MPa	0.5 MPa	0.7 MPa			
010Y	○	○	○	54	65	64	0.53	0.73	0.88	1.00	1.18	1.45	1.67	290	0.8	Green
015Y	○	○	○	54	65	64	0.79	1.09	1.32	1.50	1.77	2.18	2.50			
020Y	○	○	○	54	65	64	1.06	1.46	1.75	2.00	2.36	2.91	3.34	}	1.5	Grey
025Y	○	○	○	54	65	64	1.32	1.82	2.20	2.50	2.95	3.62	4.17			
030Y	○	○	○	54	65	64	1.59	2.18	2.63	3.00	3.54	4.36	5.00	}	1.5	Blue
040Y	○	○	○	54	65	64	2.10	2.90	3.50	4.00	4.79	6.01	6.98			
050Y	○	○	○	54	65	64	2.62	3.62	4.37	5.00	5.99	7.51	8.73	520	2.0	Light Blue

HOW TO ORDER

To inquire about or order a specific nozzle please refer to this coding system.

① Complete Assembly

Example: 1/8M INJJX 010Y PP (FEPM) + PP

1/8M	INJJX	010Y	PP (FEPM) +	PP
Pipe conn. size*		Spray capacity code	Nozzle tip material (packing: FEPM)	Adaptor material and color
1/8M		010Y		PP
1/4M		}		PPS
3/8M		050Y		

② Nozzle Tip Only (including packing and whirler)

Example: INJJX 010Y-TIP PP (FEPM)

INJJX	010Y	-TIP PP (FEPM)
	Spray capacity code	Nozzle tip material (packing: FEPM)
	010Y	
	}	
	050Y	

③ Adaptor is available for purchase separately.

④ You can change a nozzle tip to a plug tip if needed.

See page 27 for the quick-detachable **IN PLUG** series.

*"M" indicates male thread ("R" of the ISO standard), e.g. 1/8M = R1/8.

ALSO AVAILABLE!

Quick-Detachable Standard Flat Spray Nozzles

INVV SERIES

See page 23 of this catalog.