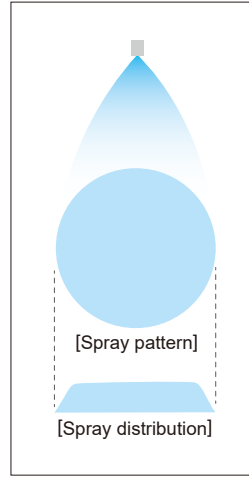


Quick-Detachable Standard Flat Spray Nozzles

Stainless Steel

INJJX-SS



- Full cone spray pattern with a round impact area and uniform distribution.
- The unique design accommodates easy installation and removal.
- Quick-detachable design helps to significantly reduce maintenance time.
- X-shaped whirler provides a large free passage diameter, minimizing clogging.

[STANDARD PRESSURE]

0.2 MPa

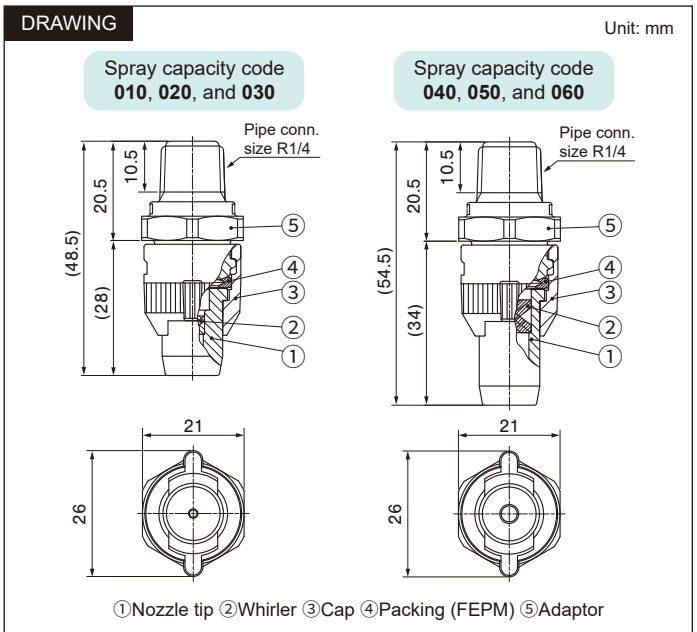
[APPLICATIONS]

Cleaning: Machinery, eliminators, screens, tanks, parts, crushed stone, earth and sand, steel plates and pieces
 Cooling: Tanks, roofs
 Spraying: Waste water treatment, aeration, foam breaking, dust suppression

Full Cone

Structure	<ul style="list-style-type: none"> • Includes a nozzle section (nozzle tip + whirler + cap + packing) and an adaptor. • Worn-out nozzle tips and other parts are available separately for replacement. • Easy installation and removal of the nozzle section with a twist of about 90°. • Tip or packing will not fall out when the nozzle section is removed.
Material	<ul style="list-style-type: none"> • Nozzle orifice: S303 • Whirler, cap and adaptor: S316L equivalent • Packing: FEPM
Weight	<ul style="list-style-type: none"> • Complete assembly: 62 g • Nozzle tip: 18 g

Max. temperature: 150°C
 Max. operating pressure: 2.0 MPa



[Note] Appearance and dimensions may differ slightly depending on material and nozzle code.

Spray capacity code	Spray angle (°)			Spray capacity (L/min)									Mean droplet diameter (µm)	Free passage diameter (mm)
	0.05 MPa	0.2 MPa	0.5 MPa	0.03 MPa	0.05 MPa	0.1 MPa	0.15 MPa	0.2 MPa	0.3 MPa	0.5 MPa	0.7 MPa	1 MPa		
010	50	55	45	—	0.53	0.73	0.88	1.00	1.18	1.45	1.67	1.93	290	0.7
020	60	65	55	—	1.06	1.46	1.75	2.00	2.36	2.91	3.34	3.86	380	1.4
030	65	70	60	—	1.59	2.18	2.63	3.00	3.54	4.36	5.00	5.79	410	1.4
040	60	65	55	—	2.12	2.91	3.51	4.00	4.72	5.81	6.67	7.72	380	1.7
050	65	70	60	—	2.65	3.64	4.38	5.00	5.90	7.27	8.34	9.64	520	1.7
060	70	75	65	2.51	3.18	4.37	5.26	6.00	7.08	8.72	10.0	11.6	520	1.7

HOW TO ORDER

To inquire about or order a specific nozzle please refer to this coding system.

① Complete Assembly

Example: 1/4M INJJX 010 S303 (FEPM) + S316L-IN

1/4M INJJX **010** S303 (FEPM) + S316L-IN

Pipe conn. size*	Spray capacity code	Nozzle tip material	Packing material	Material of cap & adaptor
	010 } 060			

② Nozzle Tip Only (including whirler)

Example: JJX 010-TIP S303

JJX **010** -TIP S303

Spray capacity code	Nozzle tip material
010 } 060	

③ Adaptor (R1/4), cap, and packing are available separately for purchase.

**M" indicates male thread ("R" of the ISO standard), e.g. 1/4M = R1/4.