

# 360° Rotatable Universal Joints

**WUT**



WUT Universal Joint with spray nozzle

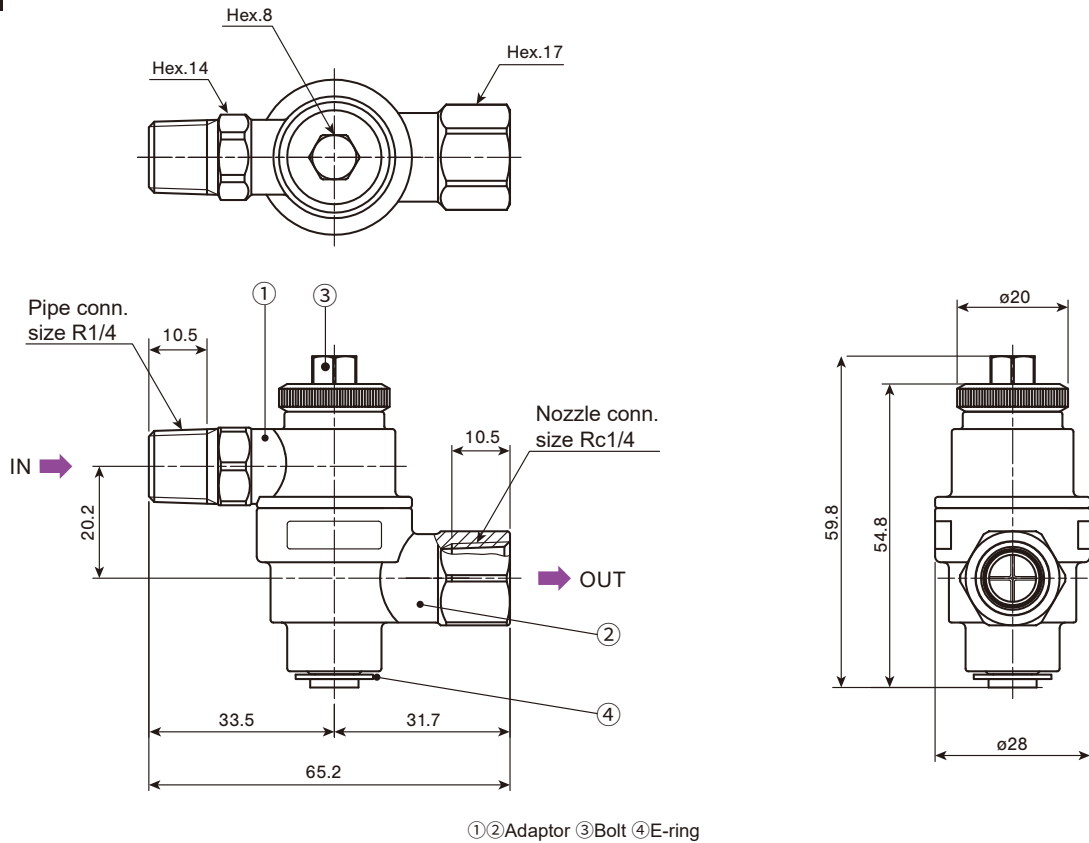


- Able to rotate 360° to adjust the spray direction. Desired position can be locked in place with bolt.
- Stabilizing function suppresses internal turbulences.
- Withstands pressures of up to 3.0 MPa.
- Safe design prevents parts from falling off when the lock is released.
- R1/4 threaded nozzle is attachable.

Material	<ul style="list-style-type: none"> <li>• Adaptor: SCS13</li> <li>• Bolt: S303</li> <li>• E-ring: S304 equivalent</li> <li>• O-ring: NBR</li> </ul>
Weight	<ul style="list-style-type: none"> <li>• 146 g</li> </ul>

**DRAWING**

Unit: mm



Accessories

**⚠ Cautions for use**

- Hand tightened bolts may loosen if there is a lot of vibration. Tighten with a torque-wrench to 6 N-m.
- Max. operating pressure: 3.0 MPa
- Max. temperature: 90°C
- When used with a solid stream jet nozzle, slightly turbulent flow occurs.

**HOW TO ORDER**

Please inquire or order using this product code.

WUT 1/4M × 1/4F SCS13

Pipe connection size\*      Nozzle connection size\*      Material

\*\*M" indicates male thread ("R" of the ISO standard) and "F" indicates female thread ("Rc" of the ISO standard), e.g. 1/4M = R1/4, 1/4F = Rc1/4.