

For cleaning hard to remove dirt

RJ SERIES / ROTARY JETTER / Powerful 3D Rotational Cleaning**NEW!** High-pressure types added to the lineup!

RJ3-4L

RJ3-2L

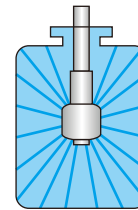
NEW

High-Pressure Type



RJ3-4H

RJ3-2H

Spray Coverage

360° spray

Note: RJ has two holes in the bottom of the body for drainage.

Features

- Powerful 3D rotational solid stream jet cleans the inside of tanks.
- No external power is needed as rotation is driven solely by the flow of the cleaning liquid.
- Heat-resistant up to 80 deg. C (176 deg. F).³
- Compact design allows for easy installation even if the inlet is small.
- The RJ3-2L/2H is equipped with two nozzles, and the RJ3-4L/4H with four nozzles.
- A customized option with a check valve to prevent backflow is also available. Contact us for more details.

Applications

- Removing tough, sticky and stubborn dirt
- Cleaning of food and beverage tanks
- Cleaning inside the chests (material tanks of paper making), etc.

Basic Specifications**Operating Pressure Range**

1/2F RJ3-2L: 0.2–1.0 MPa (30–145 psi)

1F RJ3-2L: 0.3–1.0 MPa (45–145 psi)

1*1/2F RJ3-2L/4L: 0.3–0.8 MPa (45–115 psi)

NEW 1/2F RJ3-2H/4H: 1.0–2.0 MPa (145–290 psi)**Spray Capacity²**

RJ3-2L/4L: 25.6–246 L/min

NEW RJ3-2H/4H: 44.5–114 L/min**Reach Distance of Spray (RADIUS)**

1/2F RJ3-2L: about 7 m

1F RJ3-2L: about 9 m

1*1/2F RJ3-2L-ø7 or ø8: about 10 m

1*1/2F RJ3-2L-ø9: about 12 m

1*1/2F RJ3-4L: about 9 m

NEW 1/2F RJ3-4H-ø2.4: 5 m**NEW** 1/2F RJ3-2H/4H-ø3.5: 5.5 m**Max. Temperature³**

80°C (176°F)

Main Material¹

1/2F&1F RJ: S304, SCS14, UPE, PTFE, PEEK

1*1/2F RJ: S304, SCS13, UPE, PTFE, PEEK

Weight

1/2F RJ3-2L: 0.62 kg

1F RJ3-2L: 1.9 kg

1*1/2F RJ3-2L: 2.7 kg, 1*1/2F RJ3-4L: 2.8 kg

NEW 1/2F RJ3-2H: 0.63 kg, 1/2F RJ3-4H: 0.65 kg**Rotation Speed**

N/A

Outer Surface Finish

#320 buffing is optional and available upon request for an additional charge.

▼ Watch rotating & spraying nozzle on YouTube

RJ3-2L (More details)



RJ3-4L



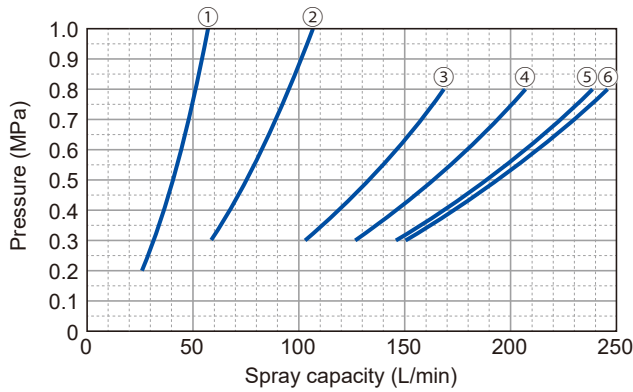
IKEUCHI RJ

¹ In the material code, "S" represents "stainless steel". SCS13 is cast stainless steel equivalent to S304. SCS14 is cast stainless steel equivalent to S316.² Spray flow rate in the above operating pressure range is for reference only. See the flow-rate diagram and chart for more details.³ A heat-resistant type, suitable for use over 80°C, is also available as a custom option. Please contact us for more details.

RJ SERIES / ROTARY JETTER / Powerful 3D Rotational Cleaning

Flow-rate Diagram

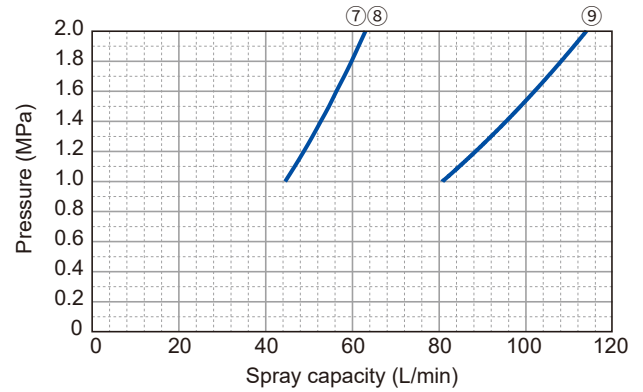
- ① 1/2F RJ3-2L- \varnothing 4 ② 1F RJ3-2L- \varnothing 5.5
- ③ 1*1/2F RJ3-2L- \varnothing 7 ④ 1*1/2F RJ3-2L- \varnothing 8
- ⑤ 1*1/2F RJ3-4L- \varnothing 6 ⑥ 1*1/2F RJ3-2L- \varnothing 9



NEW

High-Pressure Type

- ⑦ 1/2F RJ3-4H- \varnothing 2.4
- ⑧ 1/2F RJ3-2H- \varnothing 3.5
- ⑨ 1/2F RJ3-4H- \varnothing 3.5



Flow-rate Chart

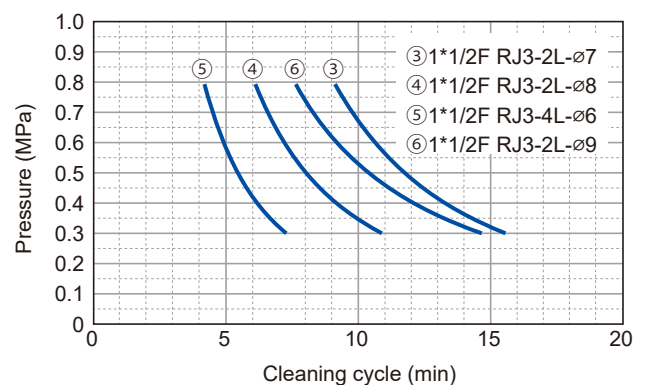
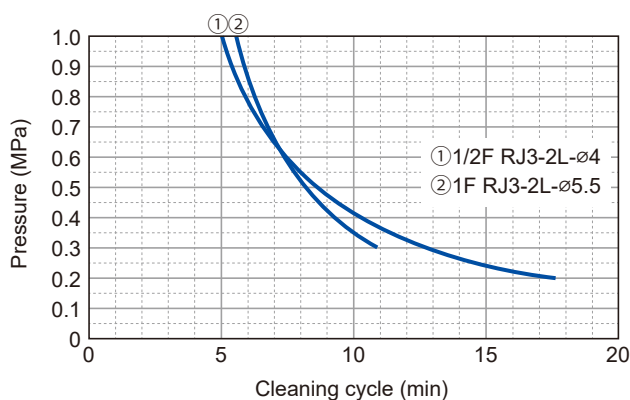
Model No. (RJ3-)	Nozzle orifice diameter (mm)	Pipe conn. size	Spray capacity (L/min) [for reference only]								
			0.2 MPa	0.3 MPa	0.4 MPa	0.5 MPa	0.6 MPa	0.7 MPa	0.8 MPa	0.9 MPa	1.0 MPa
2L- \varnothing 4	4	Rc1/2	25.6	31.4	36.2	40.5	44.4	47.9	51.2	54.3	57.3
2L- \varnothing 5.5	5.5	Rc1	—	58.3	67.3	75.3	82.4	89.1	95.2	101	106.4
2L- \varnothing 7	7	Rc1½	—	103	119	133	146	158	169	—	—
2L- \varnothing 8	8	Rc1½	—	127	146	164	179	194	207	—	—
4L- \varnothing 6	6	Rc1½	—	146	169	189	207	223	239	—	—
2L- \varnothing 9	9	Rc1½	—	151	174	194	213	230	246	—	—

NEW

High-Pressure Type

Model No. (RJ3-)	Nozzle orifice diameter (mm)	Pipe conn. size	Spray capacity (L/min) [for reference only]								
			1.0 MPa	1.1 MPa	1.2 MPa	1.3 MPa	1.4 MPa	1.5 MPa	1.6 MPa	1.8 MPa	2.0 MPa
4H- \varnothing 2.4	2.4	Rc1/2	44.5	46.7	48.8	50.8	52.7	54.6	56.3	59.8	63
2H- \varnothing 3.5	3.5	Rc1/2	44.5	46.7	48.8	50.8	52.7	54.6	56.3	59.8	63
4H- \varnothing 3.5	3.5	Rc1/2	80.7	84.6	88.4	92	95.5	98.8	102	108	114

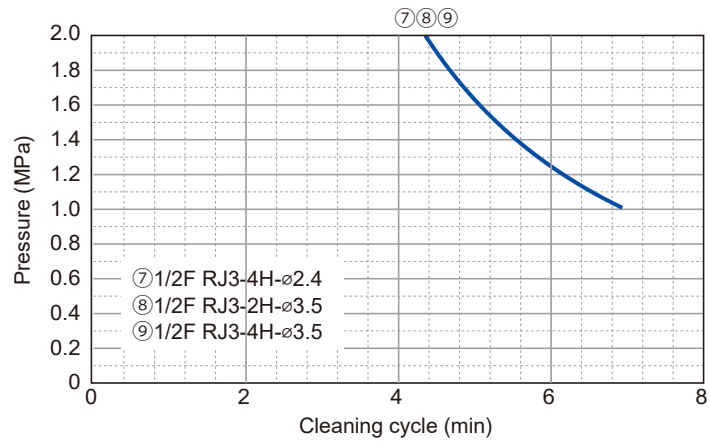
Pressure and Cleaning Cycle



RJ SERIES / ROTARY JETTER / Powerful 3D Rotational Cleaning

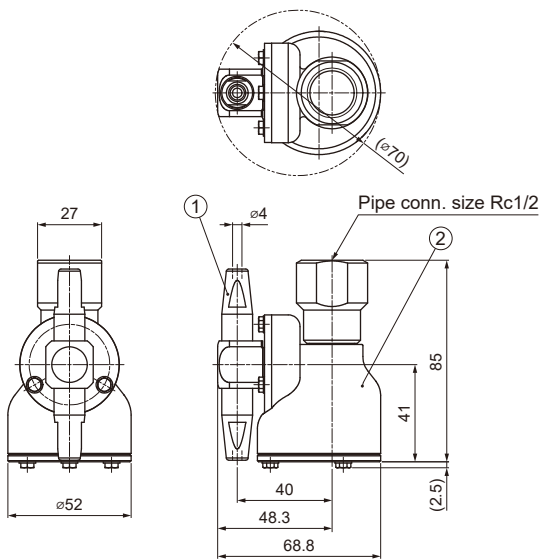
Pressure and Cleaning Cycle

NEW High-Pressure Type

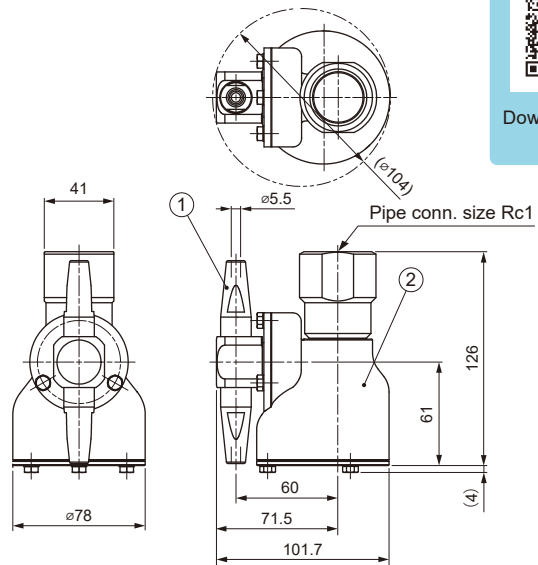


Drawing

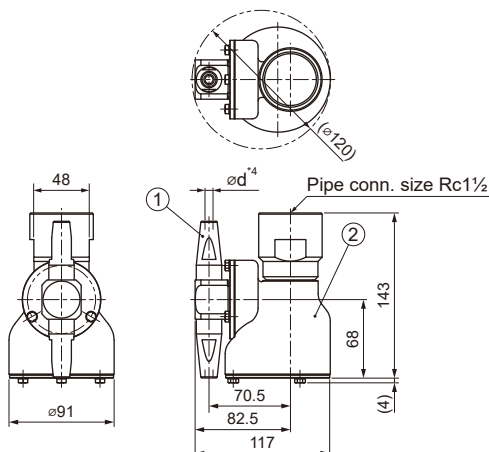
1/2F RJ3-2L (with 2 nozzles)



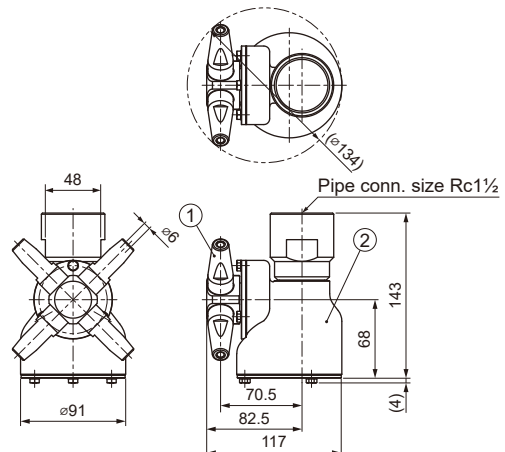
1F RJ3-2L (with 2 nozzles)



1*1/2F RJ3-2L (with 2 nozzles)



1*1/2F RJ3-4L (with 4 nozzles)



*4 Nozzle orifice diameter is shown in ød (either ø7, ø8, or ø9).

① Nozzle ② Body

Unit: mm

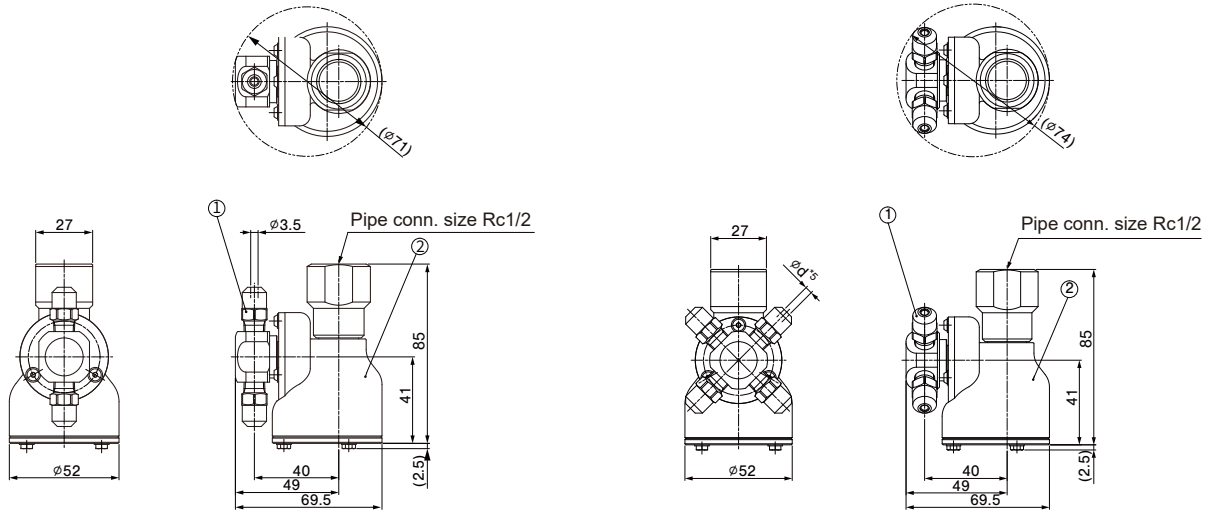
RJ SERIES / ROTARY JETTER / Powerful 3D Rotational Cleaning

Drawing

NEW High-Pressure Type

1/2F RJ3-2H (with 2 nozzles)

1/2F RJ3-4H (with 4 nozzles)



*5 Nozzle orifice diameter is shown in ϕ d (ϕ 2.4 or ϕ 3.5).

① Nozzle ② Body

Unit: mm

HOW TO ORDER

To inquire about or order a specific product please refer to this coding system.

RJ3-2L/4L

Example: 1*1/2F RJ 3 - 2L - ϕ 7

1*1/2F RJ 3 - 2L - ϕ 7

Pipe Conn. Size⁶

- 1/2F
- 1F
- 1*1/2F

Number of Nozzles Attached

- 2L (with 2 nozzles)
- 4L (with 4 nozzles)

Nozzle Orifice Diameter

- ϕ 4
- ϕ 5.5
- ϕ 6
- ϕ 7
- ϕ 8
- ϕ 9

RJ3-2H/4H

NEW

High-Pressure Type

Example: 1/2F RJ 3 - 4H - ϕ 2.4

1/2F RJ 3 - 4H - ϕ 2.4

Pipe Conn. Size⁶

Number of Nozzles Attached

- 2H (with 2 nozzles)
- 4H (with 4 nozzles)

Nozzle Orifice Diameter

- ϕ 2.4
- ϕ 3.5

⁶"F" indicates female tapered pipe thread ("Rc" of the ISO standard), e.g. 1/2F = Rc1/2.

Please feel free to send any inquiry, request for information to the contact below.



"The Fog Engineers"
H. IKEUCHI & CO., LTD.

E-mail: overseas@kirinoikeuchi.co.jp
<https://www.dry-fog.com/en/>