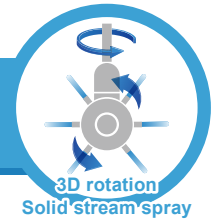


For cleaning hard to remove dirt

Low-pressure Version of RJ3-MD

Powerful Tank Cleaning Nozzles with Air or Electric Motor

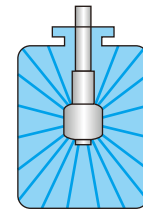
RJ3-MD-L SERIES



Made-to-Order



Spray Coverage



360° spray

Features

- 3D rotation solid stream jet powerfully cleans the inside of a tank.
- Stable low-speed rotation with motor maximizes contact time between cleaning surface and cleaning liquid for effective cleaning.
- Larger nozzle orifice diameters increase flow rate at low pressure (2 MPa or less), enabling powerful cleaning.
- Heat-resistant up to 90 deg. C (194 deg. F).

Applications

- Removing tough, sticky and stubborn dirt
- Cleaning of reactor vessels in chemical plants

Air Motor

Compressed air drives the motor.
Stainless steel air motor requires no oil to operate.

Electric Motor

Immediate use and stable rotation anywhere a power supply is available. No adjustment required.

Note: There is no ON/OFF switch on the product. Please control the operation by turning ON/OFF the supply of compressed air or electricity.

Basic Specifications

Operating Pressure Range
0.1–2.0 MPa (15–290 psi)

Number of Nozzles Attached
2, 3, or 6

Spray Capacity²
2 nozzles: 8.2–133 L/min
3 nozzles: 7.9–139 L/min
6 nozzles: 8.9–126 L/min

Max. Temperature
90°C (194°F)

Reach Distance of Spray (RADIUS)³
Approx. 4–6.5 m

Rotation Speed
RJ3-AMD-L (air motor): 5–10 rpm
RJ3-EMD-L (electric motor): 6 rpm (50 Hz), 7.2 rpm (60 Hz)

Cleaning Cycle
RJ3-AMD-L (air motor): 3.7–7.4 min
RJ3-EMD-L (electric motor): 6.2 min (50 Hz), 5.2 min (60 Hz)

Main Material¹
S304, SCS14, Special PEEK, UPE (seal),
FKM (O-ring)

Approx. Weight (w/o flange)
RJ3-AMD-L (air motor): 11–16 kg
RJ3-EMD-L (electric motor): 13–18 kg

Compressed Air Pressure (only for RJ3-AMD-L)
0.3–0.5 MPa (45–70 psi)

Air Consumption (only for RJ3-AMD-L)
200–400 L/min, Normal

Power Voltage (of RJ3-EMD-L)
100 VAC

Power Consumption (of RJ3-EMD-L)
25 W

▼ Watch rotating & spraying nozzle on YouTube



IKEUCHI RJ3-MD

¹In the material code, "S" represents "stainless steel". SCS14 is cast stainless steel equivalent to S316.

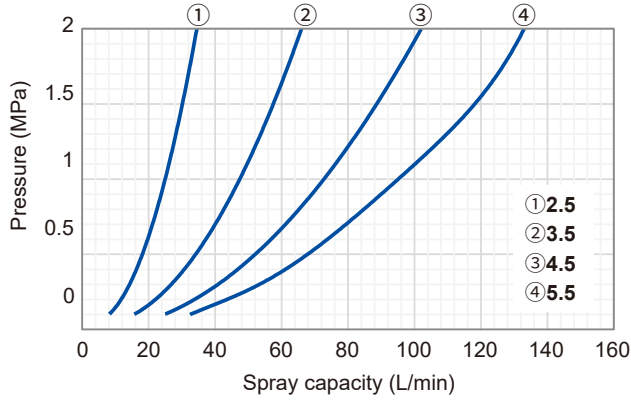
²Spray flow rate in the above operating pressure range is for reference only. See the flow-rate diagram and chart for more details.

³Spray reach distance varies depending on the number of nozzles attached and the nozzle orifice diameter. Contact us for details.

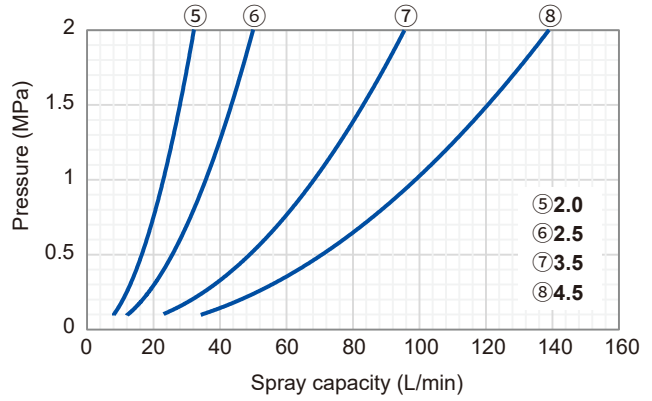
RJ3-MD-L SERIES with Air/Electric Motor for Powerful Cleaning

Flow-rate Diagram ① to ⑫ indicate the nozzle orifice diameters.

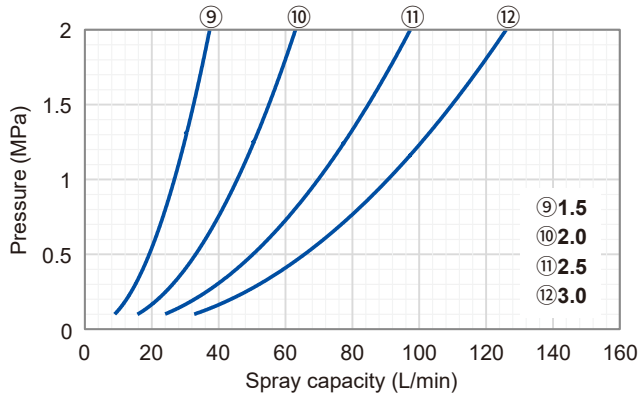
■ RJ3-AMD-2L/EMD-2L (with 2 nozzles)



■ RJ3-AMD-3L/EMD-3L (with 3 nozzles)



■ RJ3-AMD-6L/EMD-6L (with 6 nozzles)



Flow-rate Chart

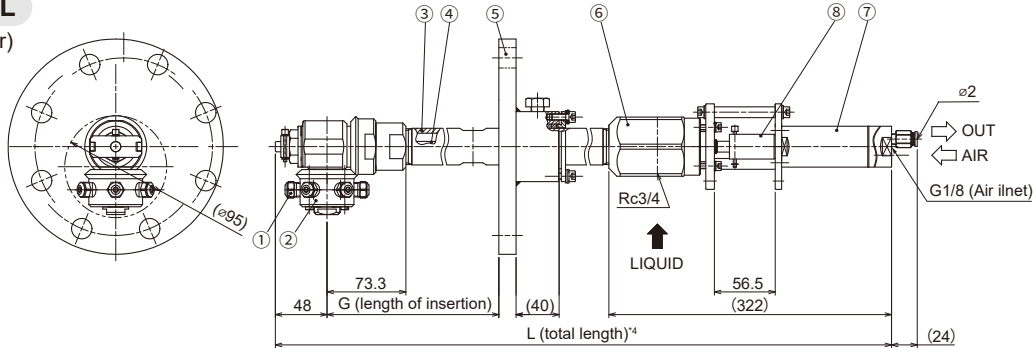
Number of nozzles attached	Nozzle orifice diameter (mm)	Spray capacity (L/min) [for reference only]					
		0.1 MPa	0.3 MPa	0.5 MPa	0.7 MPa	1.0 MPa	2.0 MPa
2	2.5	8.2	14.1	18.1	21.2	25.0	34.5
	3.5	15.7	26.7	34.1	40.0	47.5	66.0
	4.5	25.0	40.5	52.0	61.2	72.9	102.0
	5.5	32.5	53.3	67.8	79.4	95.1	133.0
3	2.0	7.9	13.1	16.7	19.3	22.8	32.2
	2.5	12.0	20.4	26.0	30.0	35.5	50.0
	3.5	23.0	38.0	49.0	57.5	68.4	95.5
	4.5	34.2	55.6	71.4	83.0	98.4	139.0
6	1.5	8.9	15.1	19.2	22.5	26.8	37.3
	2.0	15.7	26.1	33.4	38.6	45.4	63.0
	2.5	24.0	39.4	50.1	59.0	69.8	97.3
	3.0	32.7	52.0	65.5	77.1	90.4	126.0

RJ3-MD-L SERIES with Air/Electric Motor for Powerful Cleaning

Drawing

RJ3-AMD-L

(with Air Motor)

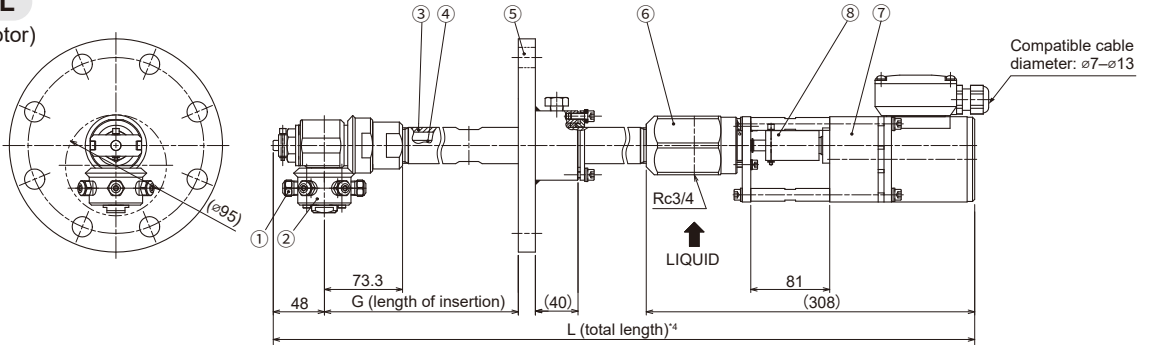


Unit: mm

- ① Nozzle ② Gear ③ Pipe (1B x Sch80 equiv.) ④ Rotating shaft ⑤ Flange
- ⑥ Water supply adaptor ⑦ Air motor ⑧ Motor coupling adaptor

RJ3-EMD-L

(with Electric Motor)



- ① Nozzle ② Gear ③ Pipe (1B x Sch80 equiv.) ④ Rotating shaft ⑤ Flange
- ⑥ Water supply adaptor ⑦ Electric motor ⑧ Motor coupling adaptor

■ Dimensions and weight

Length type	Outer dimensions (mm)		Diameter required for insertion (mm)	Approx. weight (kg) w/o flange
	L (total length) ⁴	G (length of insertion)		
A	AMD	856	95	13
	EMD	870		11
B	AMD	1,356	95	15
	EMD	1,370		13
C	AMD	1,856	95	17
	EMD	1,870		15
D	AMD	2,156	95	18
	EMD	2,170		16

Note:
A diameter of more than 95 mm is needed to insert the nozzle unit.

⁴The total length L differs for each motor. Select from the above A to D.

HOW TO ORDER

To inquire about or order a specific product please refer to this coding system.

Example: RJ3-AMD-6L - ϕ 3.0- 4T5 \times B - BF E*** S304

RJ3 - AMD 6 L - ϕ 3.0 - 4T5 \times B - BF E* S304**

Motor Type⁵

- AMD
- EMD

Number of Nozzles⁶

- 2
- 3
- 6

Nozzle Orifice Diameter⁶

- 1.5-5.5

Total Length⁴

- A ■ B
- C ■ D

Buffing⁷

- BF (optional)

Spec. Registration No. (assigned by us)

⁵ Indicate "AMD" for air motor, or "EMD" for electric motor.

⁶ Refer to the flow rate chart for available combinations of the number of nozzles and orifice diameters.

⁷ Buffing is optional, available for extra charge. Leave blank if buffing is not necessary.

For cleaning hard to remove dirt

Low-pressure Version of RJ3-MD

RJ3-MD-L SERIES with Air/Electric Motor for Powerful Cleaning

Please feel free to send any inquiry, request for information to the contact below.



“The Fog Engineers”
H. IKEUCHI & CO., LTD.

E-mail: overseas@kirinoikeuchi.co.jp
<https://www.dry-fog.com/en/>