

Instruction Manual

HANGING-DOWN (NP) KIT (WITHOUT PLATE)

for AKIMist® Dry Fog Humidifying System

Thank you for purchasing AKIMist Humidifier with Hanging-down (NP) Kit (w/o plate).
To properly use the installation kit, please read this instruction manual.

■ Check the contents of the box.

Contents:
AKIMist with connection kit, AKIMist Instruction Manual,
and this manual

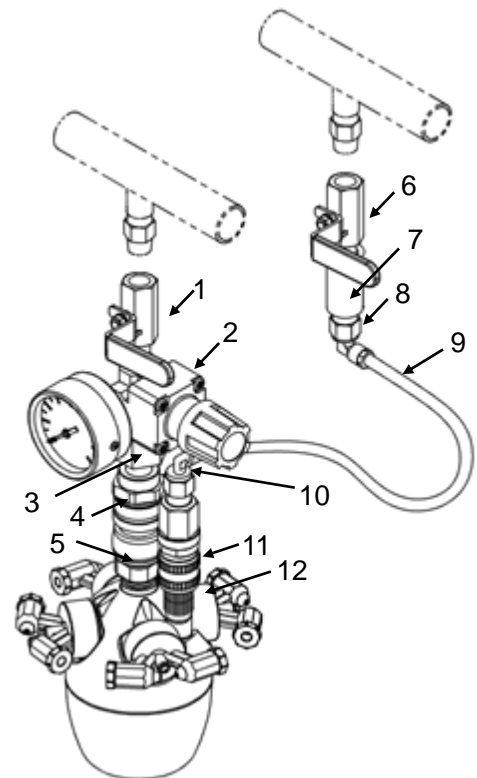
■ Parts Description

For order of spare parts, use specific description and
code number below.

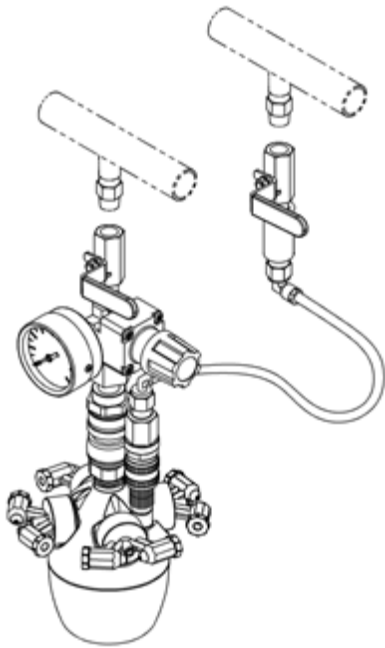
Section	Part No.	Description	Material*	Code No.
Air Line	1	Valve (Red)	S316, S304	#252318
	2	Pressure Regulator (with pressure gauge)		#140640
	3	Socket	S303	#410223
	4	Coupler (Socket)		#12226
	5	Coupler (Plug)		#12234
Water Line	6	Valve (Blue)	S316, S304	#252319
	7	Socket	S304	#147408
	8	Tube Fitting (Elbow)		#130693
	9	Tube	Nylon	#18582
	10	Tube Fitting (Elbow)		#130693
	11	Liquid Coupler (Socket)	Polyacetal	#15778
	12	Liquid Coupler (Plug)	S303	#216627

*Materials S303/S304/S316's "S" means stainless steel in this manual.

Note: Parts No.5 and No.12 are provided in the AKIMist humidifier, not in the kit.



How to Install



The valves of this kit are Rc 1/4" (1/4 female) threaded.
Please prepare R 1/4 threaded joints on the pipe side.

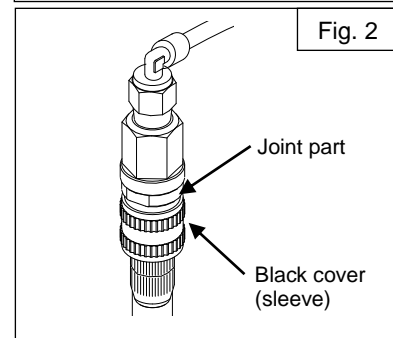
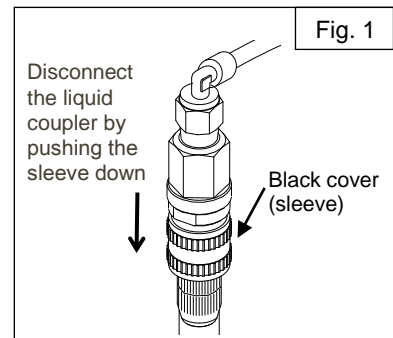
⚠Caution

- Connect the air pipe and water pipe correctly.
- Be careful not to drop anything during installation at high places.
- Valve handles are approximately 26 mm longer than conventional model. Allow sufficient working space.
- For inquiry/order, use the specific part name and code number on the previous page.

The part numbers mentioned in the instructions below correspond to the parts listed on the previous page.

- (1) **Disconnect air couplers (socket #4 from plug #5) and liquid couplers (socket #11 from plug #12).** To disconnect the liquid couplers, push the black cover (sleeve) of the socket (#11) down towards the plug (#12) as shown in Fig. 1.
- (2) **Connect air and water tubes to valves (#1 and #6) respectively.** Rc 1/4" threaded connection for both air and water. (Recommended torque: 15 N-m)
- (3) **Connect air and water couplers respectively.**
Insert each plug into each socket until it clicks.
For liquid couplers, push the coupler into the black cover part until it clicks into place. The joint part will be hidden under the black cover (see Fig. 2).
- (4) **Open valves (#1 and #6) and set the air pressure with pressure regulator (#2).**

For installation and operation of AKIMist, refer to the enclosed Instruction Manual for AKIMist Dry Fog Humidifier.



H. IKEUCHI & CO., LTD.

Daiichi Kyogyo Bldg., 1-15-15, Awaza, Nishi-ku, Osaka 550-0011 JAPAN

Fax: +81-6-6538-4022

Email: overseas@kirinoikeuchi.co.jp

<https://www.kirinoikeuchi.co.jp/eng/>