

## Instruction Manual

**OIL-FREE**

# WALL MOUNTING KIT & HANGING-DOWN KIT

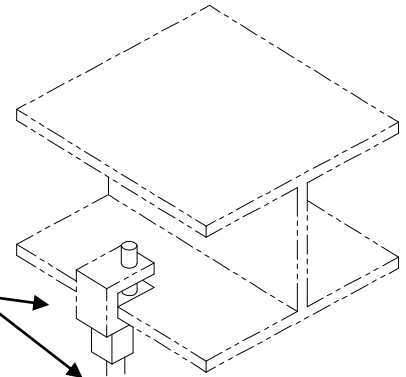
## for AKIMist® Dry Fog Humidifying System

Thank you for purchasing AKIMist Humidifier with Wall Mounting or Hanging-down Kit.  
To properly use the installation kit, please read this instruction manual.

### ■ Check the contents of the box.

Contents:  
AKIMist with connection kit, AKIMist Instruction Manual,  
and this manual

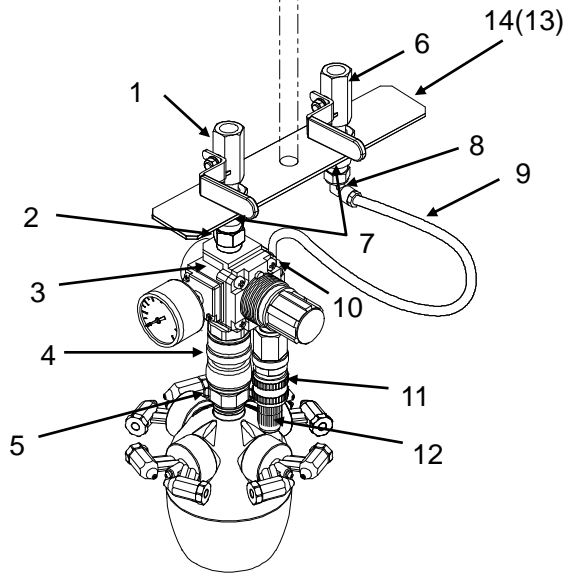
Bolts and hanging fixture are not included and need to be supplied by customer



### ■ Parts Description

For order of spare parts, use specific description and code number below.

Section	Part No.	Description	Material*	Code No.
Air Line	1	Valve (Red)	S304	#289481
	2	Nipple	S304	#14634
	3	Pressure Regulator (with pressure gauge)	POM, aluminum	#265941
	4	Coupler (Socket)		#193606
	5	Coupler (Plug)		#12234
	7	Fixed Socket & Nut Set	S303	#14038
			(Socket) (Nut)	
Water Line	6	Valve (Blue)	S304	#289482
	7	Fixed Socket & Nut Set	S303	#14038
		(Socket) (Nut)		(#109007) (#109008)
	8	Tube Fitting (Elbow)		#130693
	9	Tube	Nylon	#18582
	10	Tube Fitting		#130694
	11	Liquid Coupler (Socket)	Polyacetal	#157467
12	Liquid Coupler (Plug)	S303	#216627	
Plate	13	Plate for Wall Mounting	S304	#186169
	14	Plate for Hanging-down	S304	#186170



The sketch above shows HANGING-DOWN KIT. Please note that shape of plate (#13) for WALL MOUNTING KIT is different from the above.

\*Materials S303/S304/S316's "S" means stainless steel in this manual.

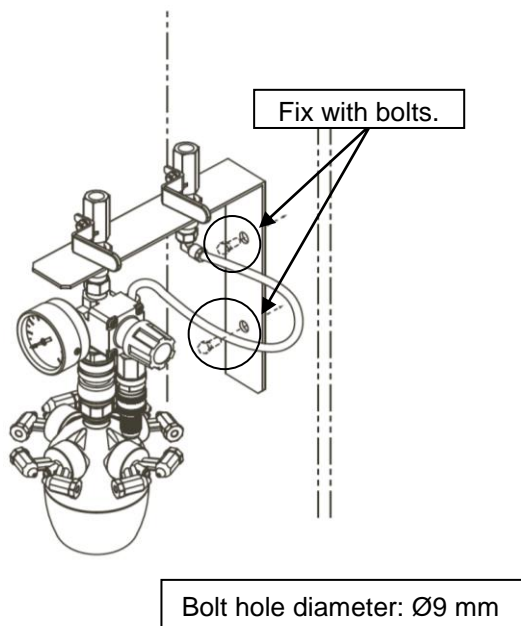
Note: Parts No.5 and No.12 are provided in the AKIMist humidifier, not in the kit.



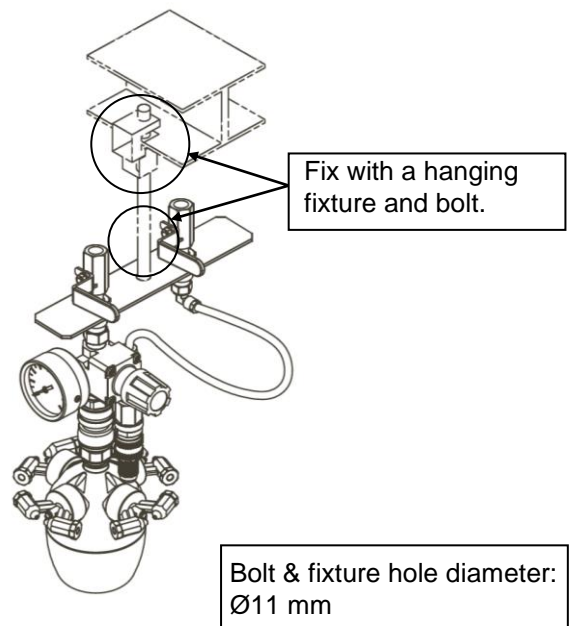
“The Fog Engineers”  
**H. IKEUCHI & CO., LTD.**

# How to Install

## ■ Wall Mounting Kit



## ■ Hanging-down Kit



The part numbers mentioned in the assembly instructions correspond to the parts listed on the previous page.

- (1) Connect the liquid coupler socket (Part #11) to the liquid coupler plug (#12) of AKIMist humidifier.

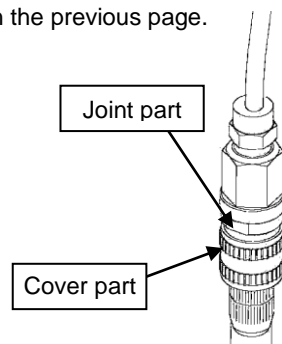
Push the coupler into the black cover part until it clicks into place. The joint part indicated in the diagram will be hidden under the black cover.

- (2) Secure the plate on the wall or ceiling with bolts or a hanging fixture.

- (3) Connect air and water tubes to valves (#1 and #6) respectively.

Rc 1/4" threaded connection for both air and water. (Recommended torque: 15 N-m)

- (4) Open valves (#1 and #6) and set the air pressure with pressure regulator (#3).



For installation and operation of AKIMist, refer to the enclosed Instruction Manual for AKIMist Dry Fog Humidifier.

## ⚠ Caution

- Connect the air pipe and water pipe correctly.
- When wall-mounted, do not aim the spray nozzles towards the wall.
- Be careful not to drop anything during installation at high places.
- For inquiry/order, use the specific part name and code number on the previous page.

H. IKEUCHI & CO., LTD.

Daiichi Kyogyo Bldg., 1-15-15, Awaza, Nishi-ku, Osaka 550-0011 JAPAN

Fax: +81-6-6538-4022

Email: [overseas@kirinoikeuchi.co.jp](mailto:overseas@kirinoikeuchi.co.jp)

<https://www.kirinoikeuchi.co.jp/eng/>